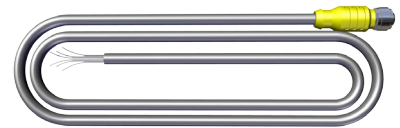


Components

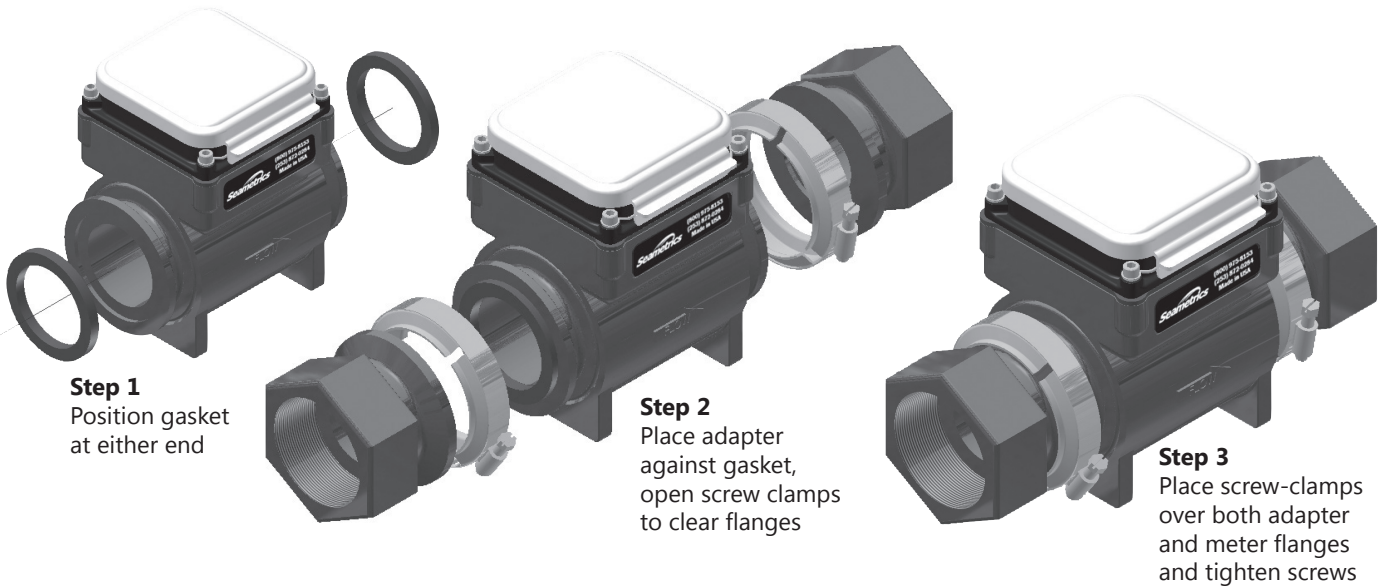


Fitting Kit
(2" and 3" models only)



Power/Output Cable
(WMP101 only)

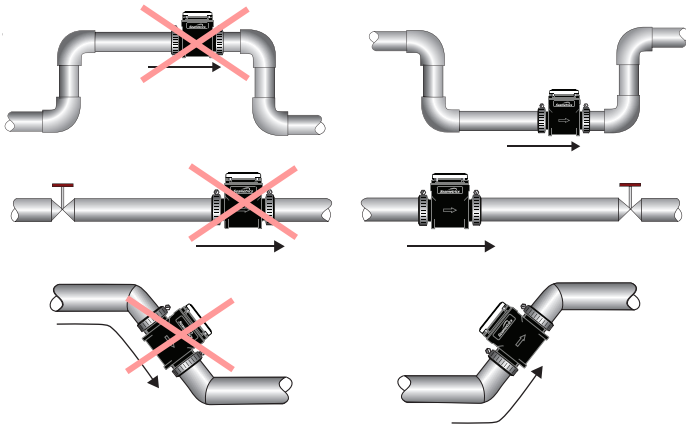
End Connections



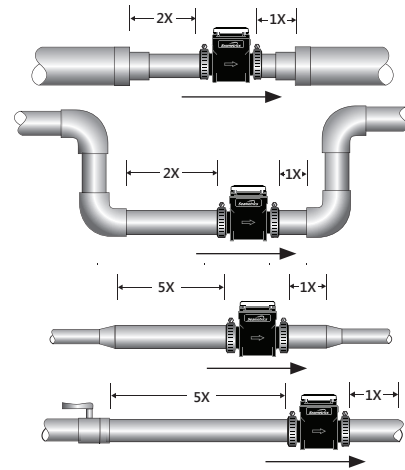
NOTE: Above installation instructions are for WMP101/104-200 (2") and WMP101/104-300 (3") only. The WMP101/104-100 (1") is provided with integrated NPT female threaded ends.

Positioning

Choose a position that will ensure a full pipe.



Choose a position that will minimize flow distortion.

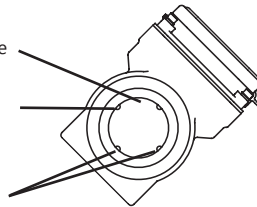


Recommended:
May prevent sediment or bubble problems

Intermittent air bubbles miss electrode

Electrode moved from top by rotating meter

Electrodes free from sediment build-up

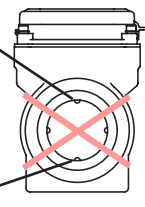


Not Ideal:

Air bubbles and sediment on the electrodes can affect accuracy

Intermittent air bubbles pass over electrode

Possible sediment build-up

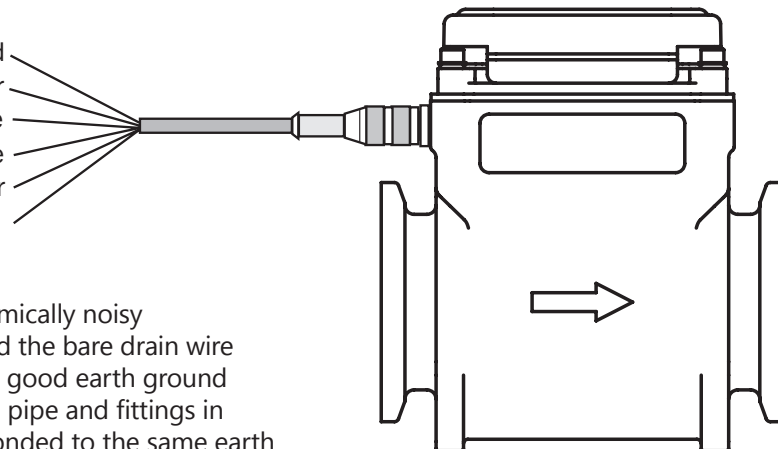


Electrical Connections

WMP101:

Plug the cable into the meter and hand tighten. Follow the diagram to make connections. If you are using pulse output, connect power first and determine that the meter is working properly by observing the display. Then connect the pulse output.

Gray: Pin 5 = Ground
Black: Pin 4 = (-) Power
Blue: Pin 3 = (+) Pulse
White: Pin 2 = (-) Pulse
Brown: Pin 1 = (+) Power
Shield Drain Wire



Grounding (WMP101):

For best performance, especially in chemically noisy environments, the gray ground wire and the bare drain wire should be connected together and to a good earth ground as close to the meter as possible. Metal pipe and fittings in contact with the fluid should also be bonded to the same earth ground with corrosion-resistant connections.

WMP104:

No connections needed.