



INITIAL SETUP

- Press **MENU** button to enter the **MAIN MENU**. From there the **MENU** button will act as a back button, the **ENTER** button acts as advance/confirm button.
- **ENTER** into **SETUP > METER > TRANSDUCER**. Confirm your sensor selection matches the hardware for your kit. **MENU** back.
- **ENTER** into **MOUNTING**. Confirm the recommended mounting method. **MENU** back.
- **ENTER** into **PIPE**. Input your pipe data based on supplemented pipe charts. **MENU** back.
- **ENTER** into **FLUID**. Confirm liquid type. **MENU** back.
- **ENTER** into **SPACING > SPACING CALCULATED**. This is your recommended sensor spacing for installation. **MENU** back.
- **ENTER** into **CALIBRATION > SENSOR FACTOR VALUE**. Input the sensor factor (This can be found on the transducer tag or on the calibration certificate under “Comments”.) **MENU** back.
- **ENTER** into **CALIBRATION > SCALE FACTOR**. Input the scale factor (This can be found on the transducer tag or on the calibration certificate under “Comments”.) **MENU** back.
- Once the **Sensor Factor** and **Scale Factor** have been input. The NCMB2 is dialed into the accompanying transducer and is ready for installation.

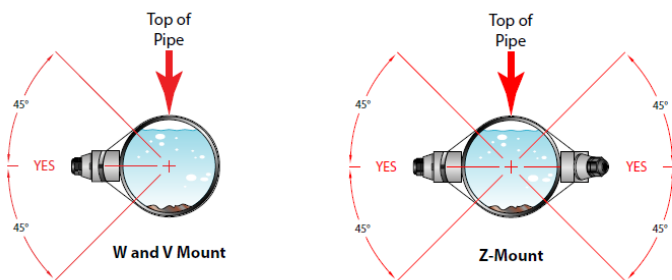


Figure 1: Transducer positioning for horizontal pipes

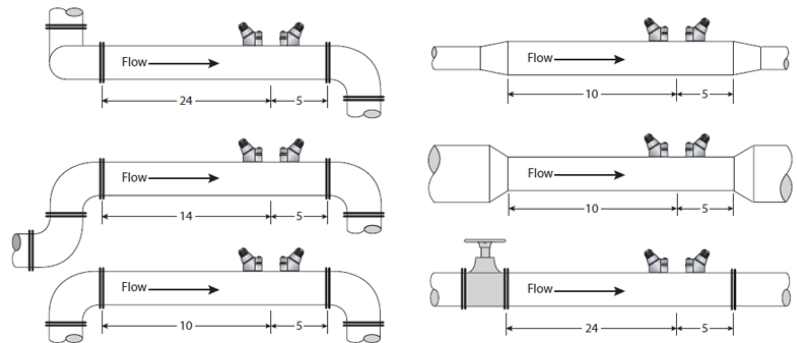


Figure 2: Piping configuration and transducer positioning